

**HORN**BACH   
There is always a job to be done.

**Ai Weiwei**

# Safety Jackets

Zippered  
the Other Way

Before building this version, make sure that you have enough space for it.

## Standing version

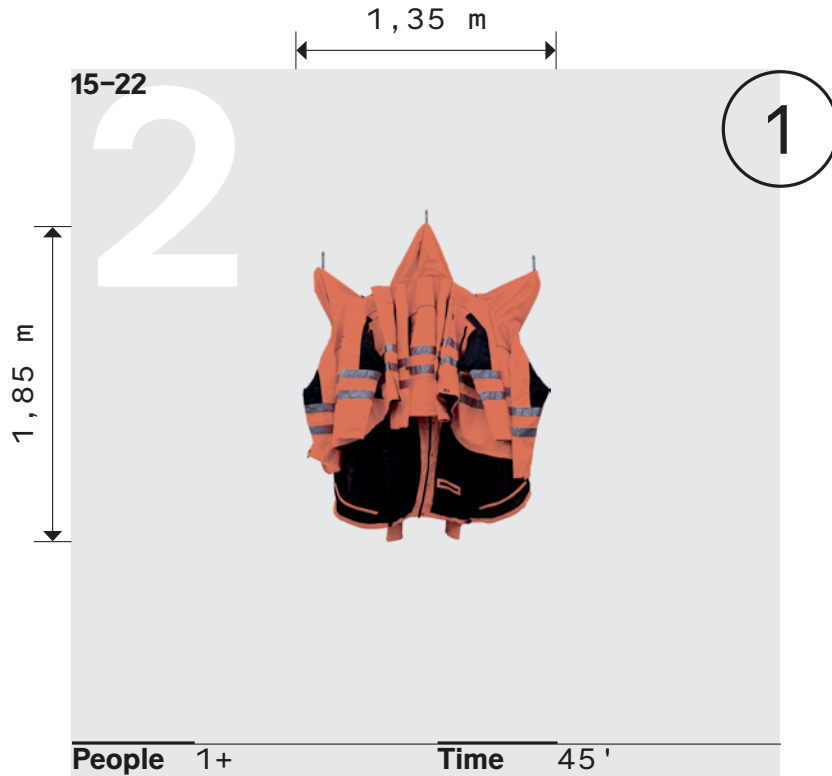


**3.1** Instructions

**Overview**

This version is mounted on a wall and requires a surface area of at least 2 x 2 metres.

## Wall version



15-23



People 1+

Time 35'

15-22, 24



People 1+

Time 65'

## Standing version

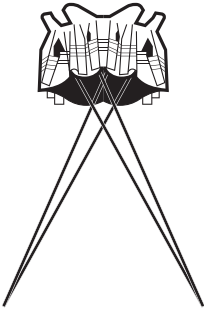



These instructions have been compiled with the greatest of care. You carry out the assembly on your own responsibility, therefore please assess your skills realistically and, if necessary, seek professional support.

HORNBAACH will not be liable either for the misuse of material and tools or incorrect and incompetent assembly.

→ Wearing suitable protective gear (e.g. work gloves, safety goggles) and performing tasks with a second person is recommended.

→ Select a suitable place and firm base (stable foundation) to assemble the artwork. Due to its design, in general, the stability of the artwork is only afforded to a limited extent in case of vibration (e.g. jolting, pulling) and tensile loading (e.g. wind). If necessary, additionally secure the artwork to the wall and floor with suitable materials. Always keep children and animals away from the artwork. Regularly check the stability of the artwork and condition of the connections (cable ties).

## Materials

	<b>Instructions</b> Height: Width: <div style="font-size: 48pt; font-weight: bold; text-align: center;">4</div>	<b>5-14</b> approx. 4.1 m approx. 2.6 m
6 x 	<b>Safety jacket</b> Recommendation	<b>Neon orange</b> XL
4 x 	<b>Stainless-steel pipe</b> Length Wall depth	6 m, Ø 28 mm 1 mm
12 x 	<b>Cable ties</b> Recommendation	<b>Black, nylon</b> min. 250 mm
<b>Tools</b> Metal saw Sandpaper Folding trestles 2 Squared timbers One-handed clamps Masking tape Tape measure		

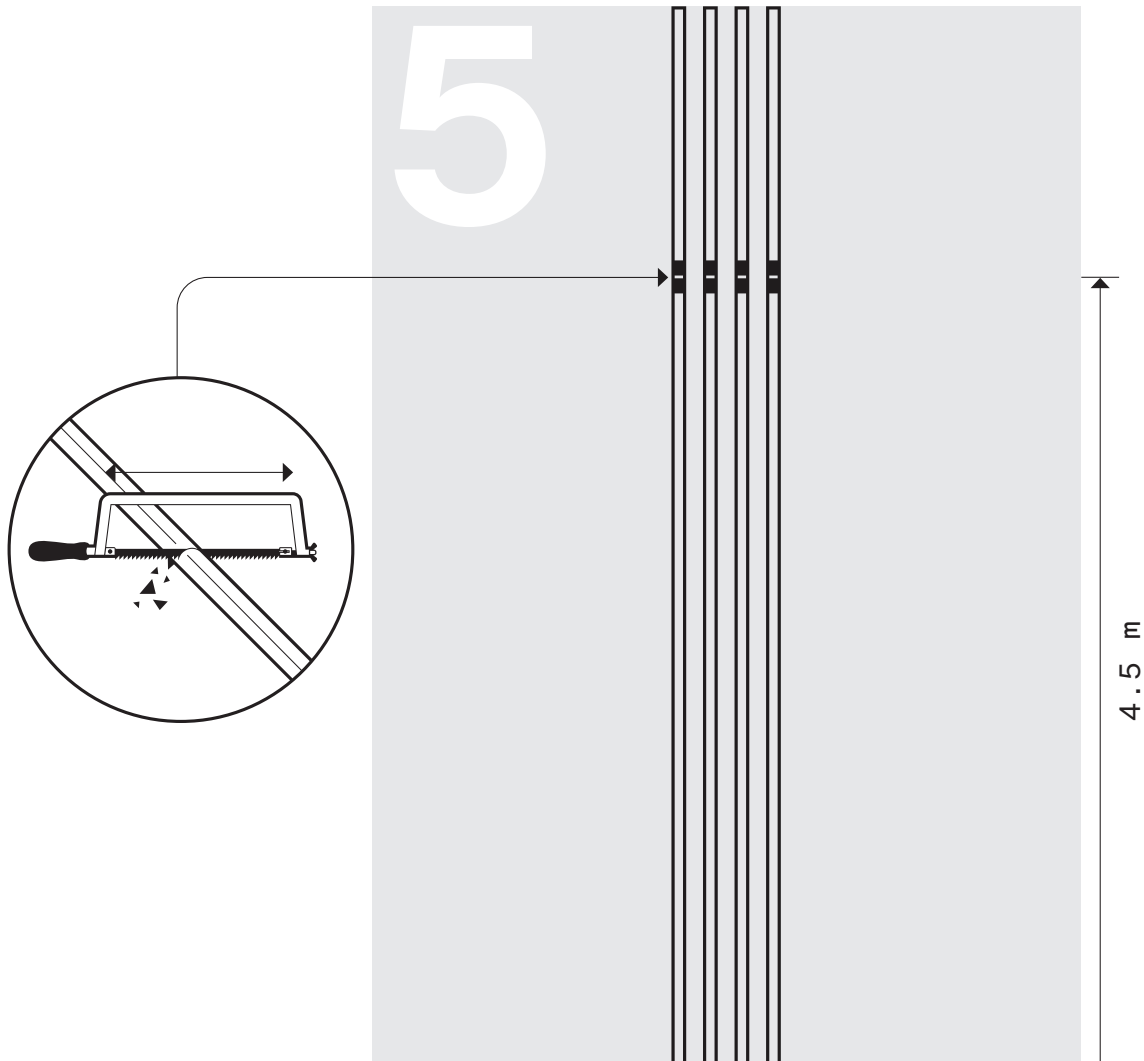
### 3.2 Instructions

### Standing version

Step 1

First, all four pipes need to be cut to a length of 4.50 metres using the metal saw. Mark where you are going to cut with masking tape. Firmly secure the pipes before cutting them to length, for example using a squared timber and one-handed clamps. This will make it easier to make a straight cut. Tip: You can put the pipes on the folding trestles.

4 x

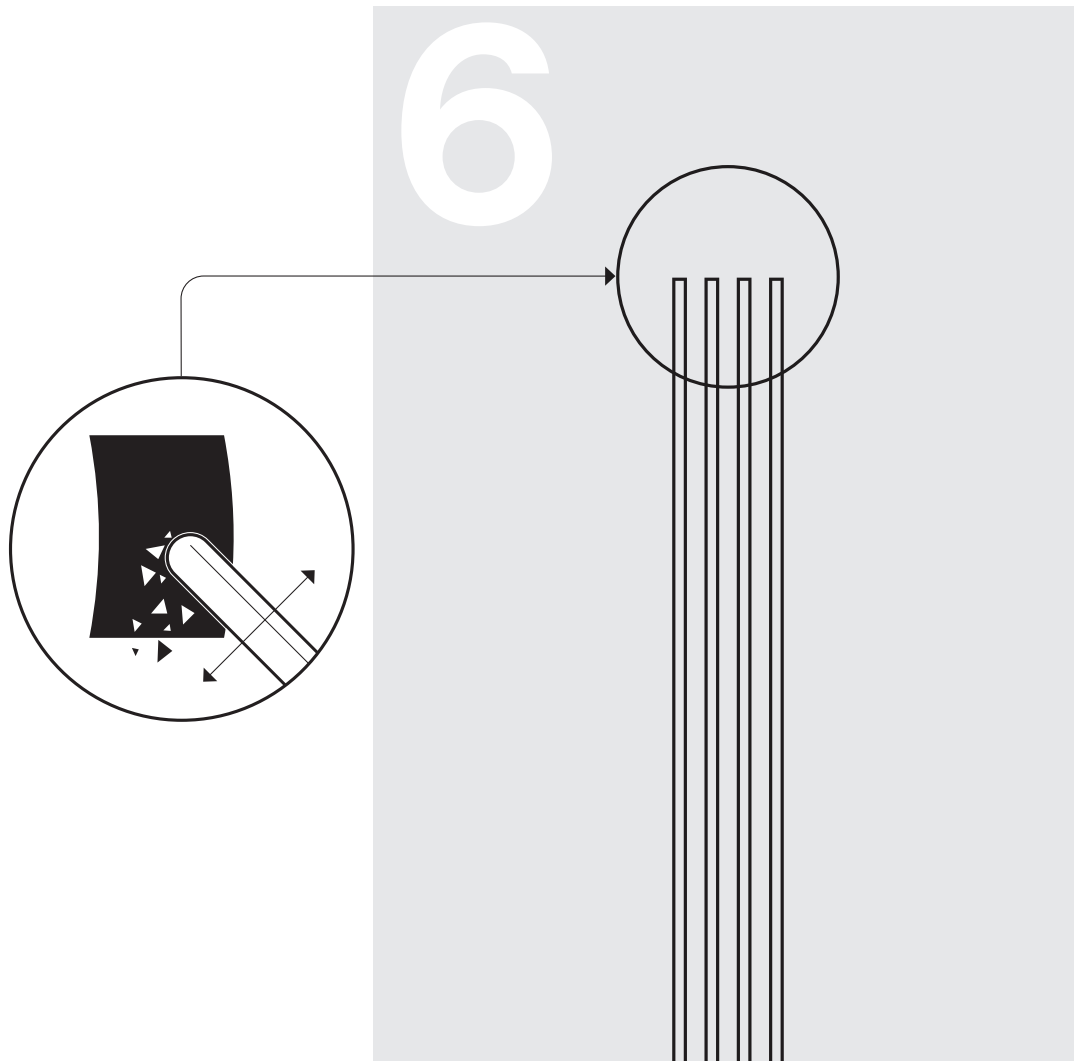


**3.2 Instructions**

**Standing version**

Step 2

Sand both edges of the cut surface with sandpaper to remove splinters. If your pipes were delivered with yellow caps, you can use them as additional protection at the end of the pipe.



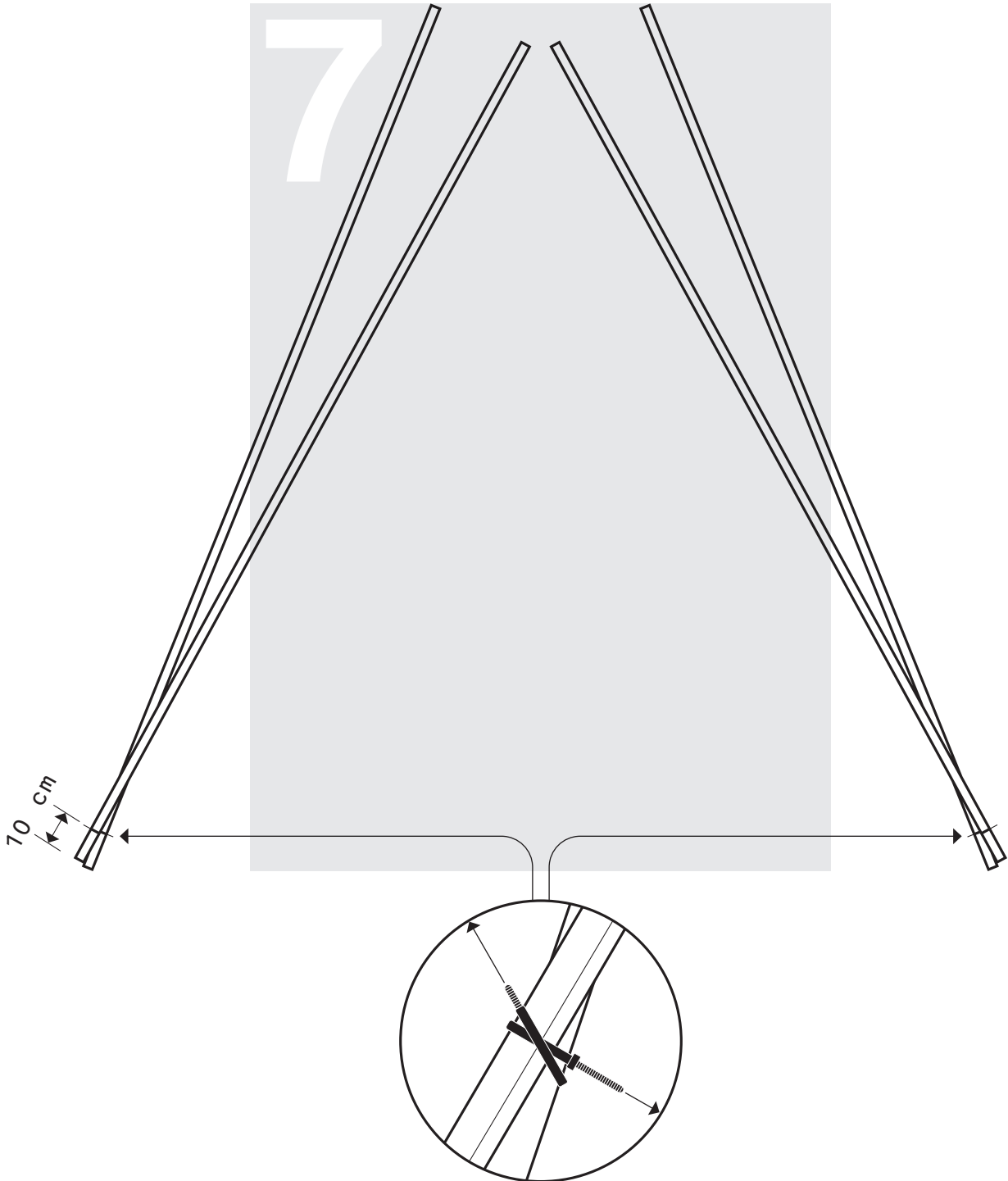
**3.2 Instructions**

**Standing version**

Step 3

The easiest way to connect the pipes is to lay them on the floor.

4x





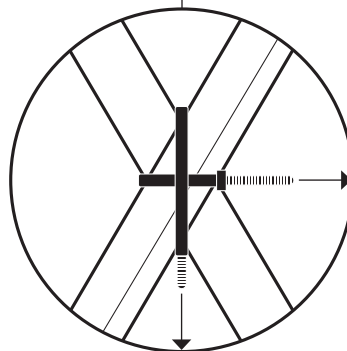
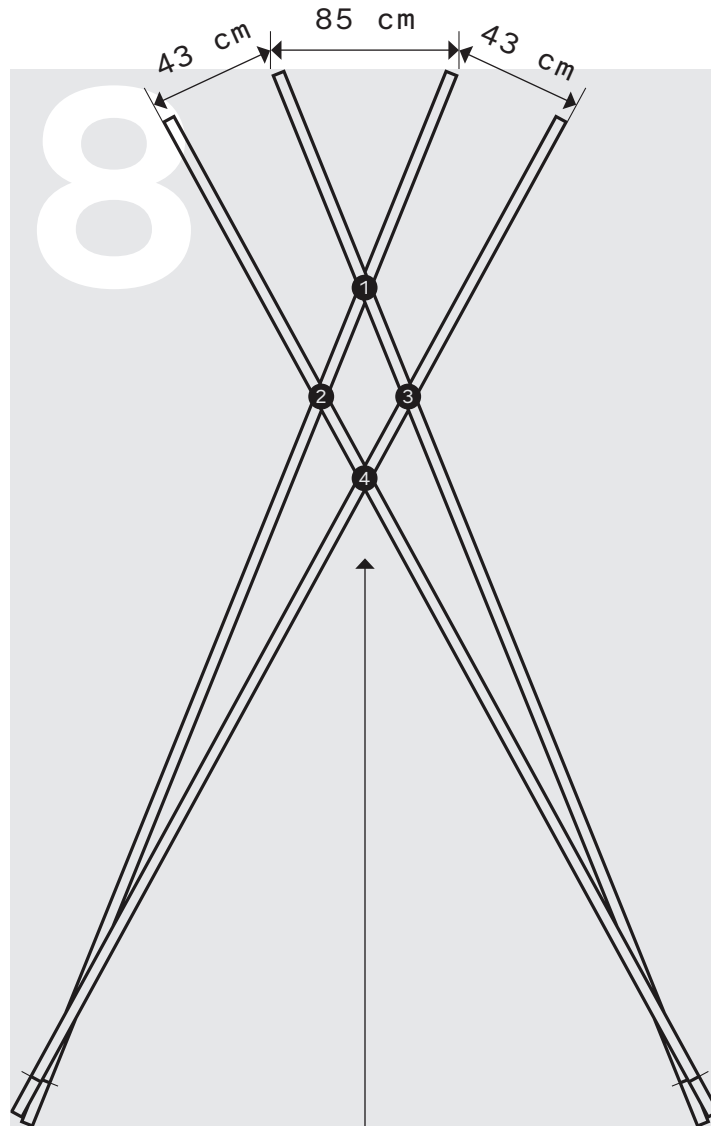
### 3.2 Instructions

### Standing version

Step 4

Use two cable ties for each join and cross them over one another to ensure a stable hold (see photo). Make sure that the distance between the top ends of the pipes is the same as those shown in the diagram. Tip: mark out the distances on the floor using masking tape. Tie each join in the order shown by the numbers in the photo.

8x



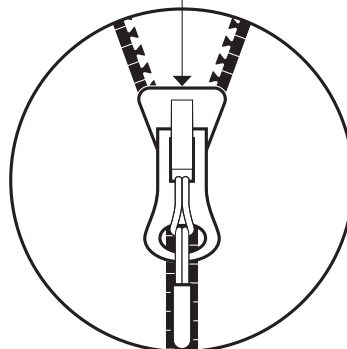
**3.2 Instructions**

**Standing version**

Step 5

Open all the jackets and lay them out on the ground.  
The hoods must be unfolded.

6x



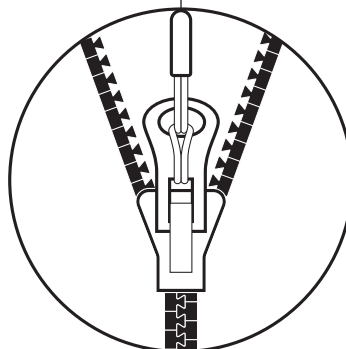
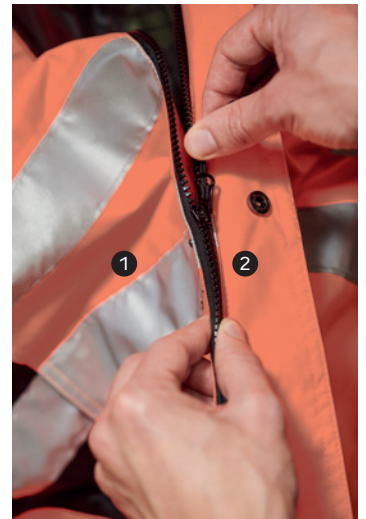
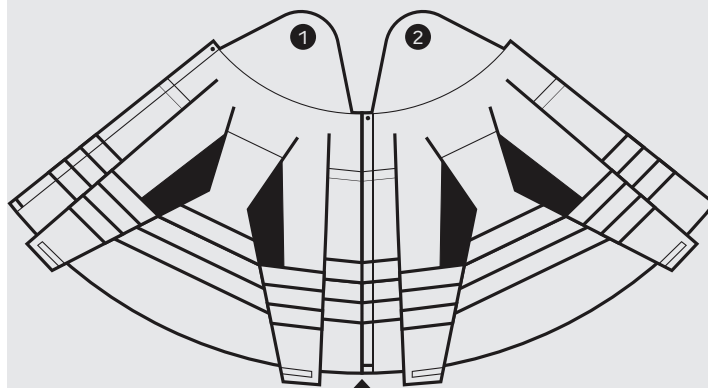
**3.2 Instructions**

**Standing version**

Step 6

Join all six jackets together by zipping each jacket to another jacket.

10

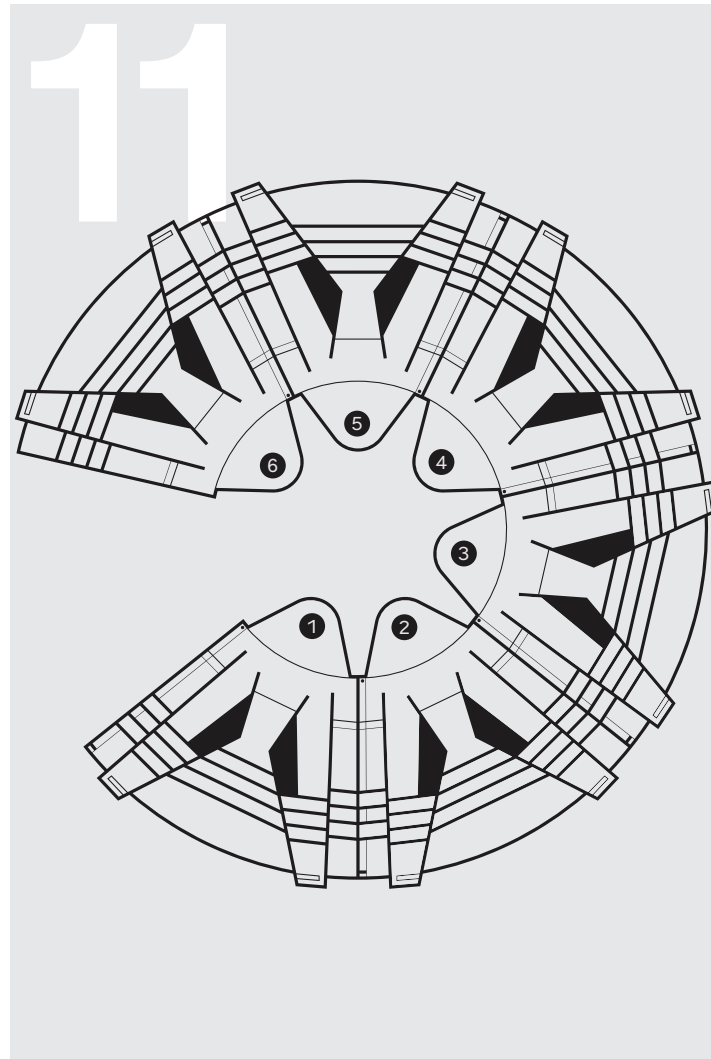


**3.2** Instructions

**Standing version**

Step 6

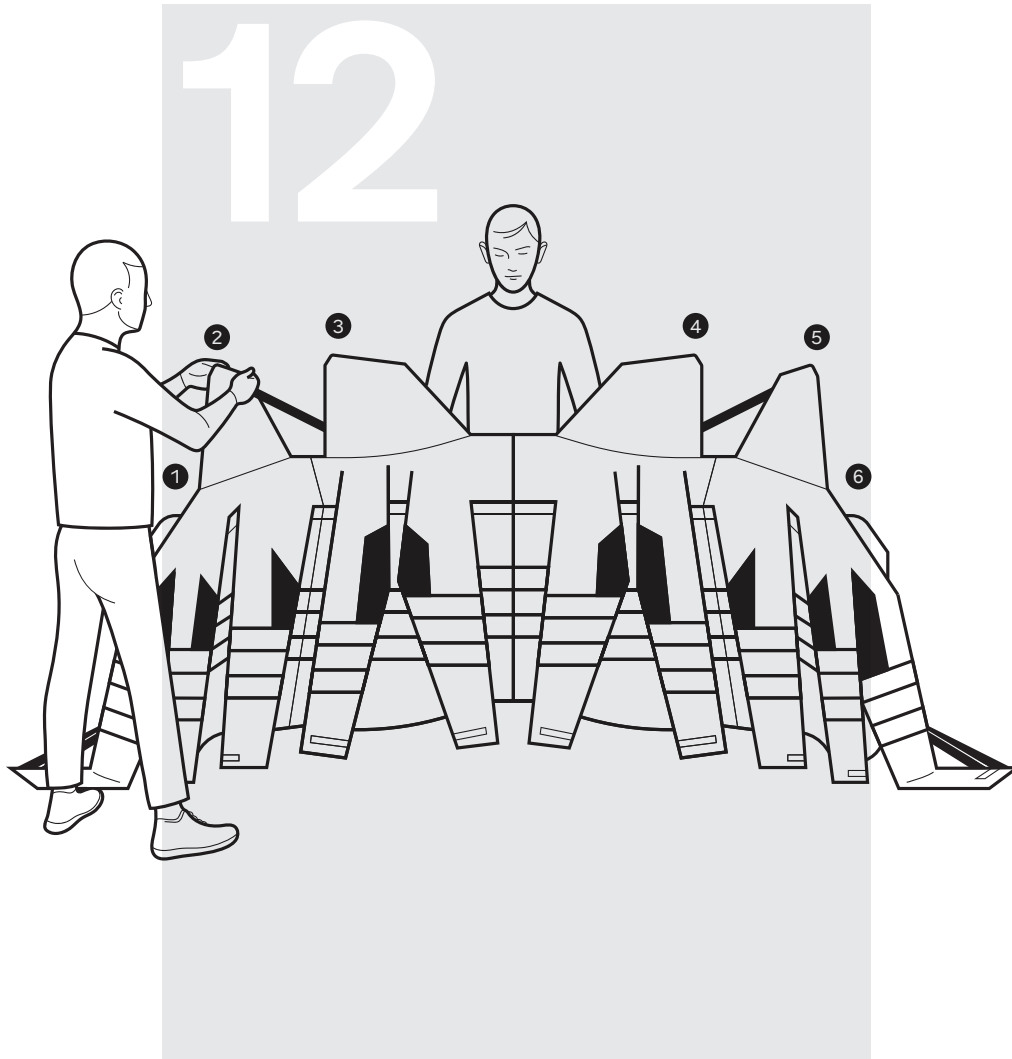
Don't create a ring of jackets by zipping the final jacket to the first one.



**3.2** Instructions  
Step 7

**Standing version**

Lift up the pipe structure and hang jackets two, three, four and five on the pipes by the hood.

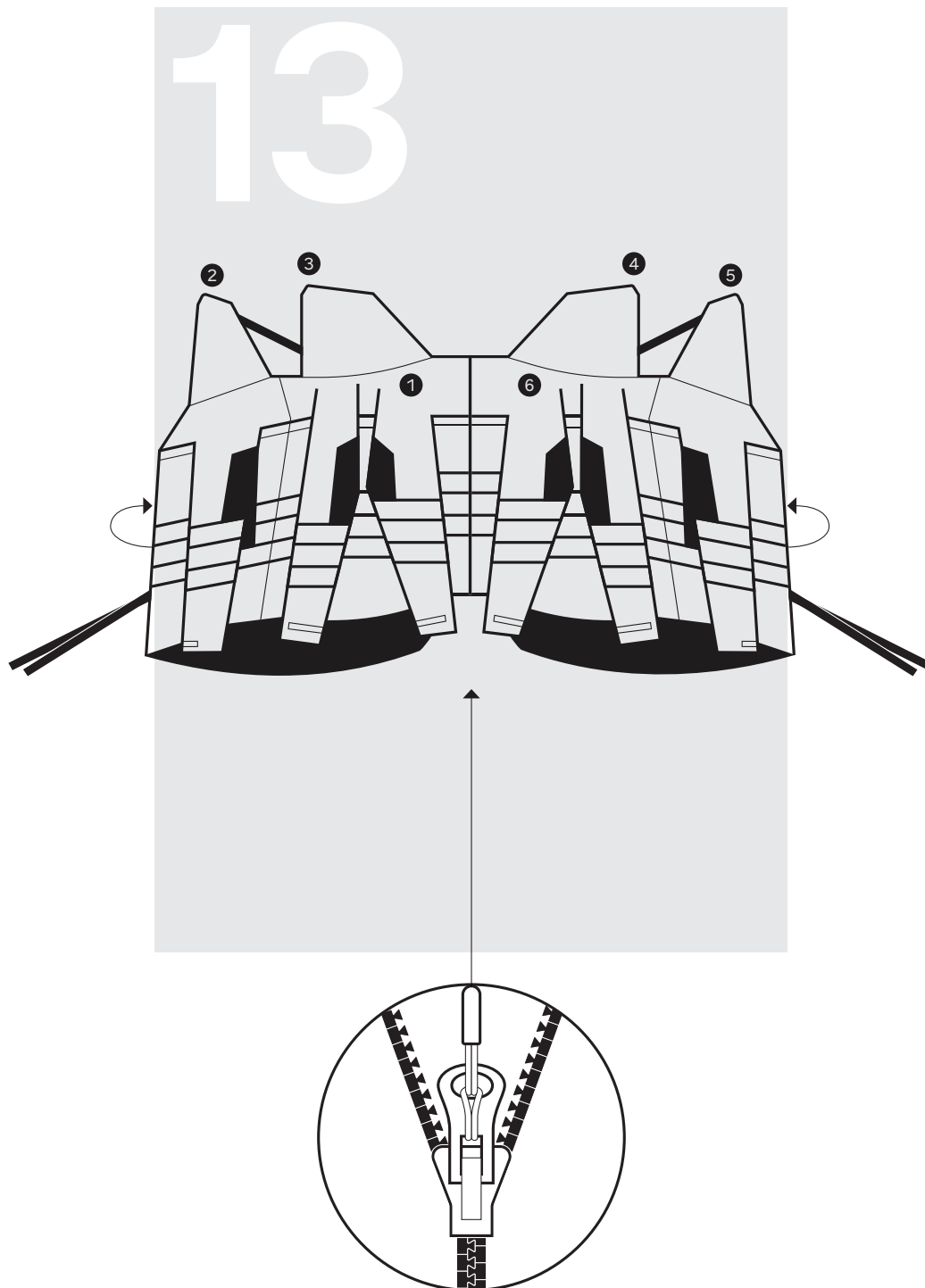


### 3.2 Instructions

### Standing version

Step 8

The other two jackets should hang down to the right and left. They are then turned over and can now be connected on the pipes by zipping them to one another.



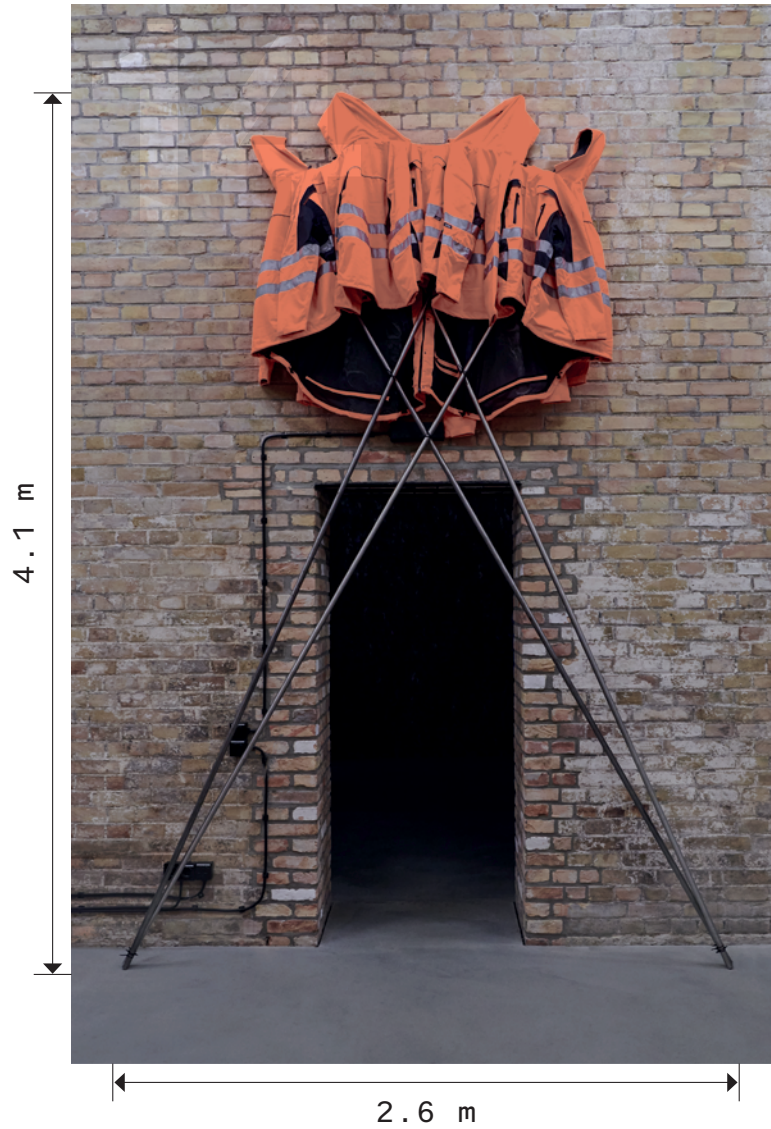
### 3.2 Instructions

### Standing version

Step 9

With the help of another person, you can now lean the structure against a wall or another sturdy object. Make sure that all four pipes are standing firmly and cannot slip.

**Safety Jackets Zipped the Other Way, 2020**



## Wall version






These instructions have been compiled with the greatest of care. You carry out the assembly on your own responsibility, therefore please assess your skills realistically and, if necessary, seek professional support.

HORNBAACH will not be liable either for the misuse of material and tools or incorrect and incompetent assembly.

→ Wearing suitable protective gear (e.g. safety goggles) is recommended.



## Materials

	<b>Instructions</b> Height: Width:	<b>16</b> <b>17-22</b> approx. 1.85 m approx. 1.35 m
5x 	<b>Safety jacket</b> Recommendation	<b>Neon orange</b> L
3x 	<b>Alfer wall hook</b> Size	approx. 150 x 210 mm
6x 	<b>Wall plugs</b> Choose the correct wall plug for your wall.	
6x 	<b>Screws</b> Use the correct screws for your wall plug.	
<b>Tools</b> Hammer drill Masonry drill Screwdriver or electric screwdriver Tape measure		

**3.3 Instructions**

**Wall version**

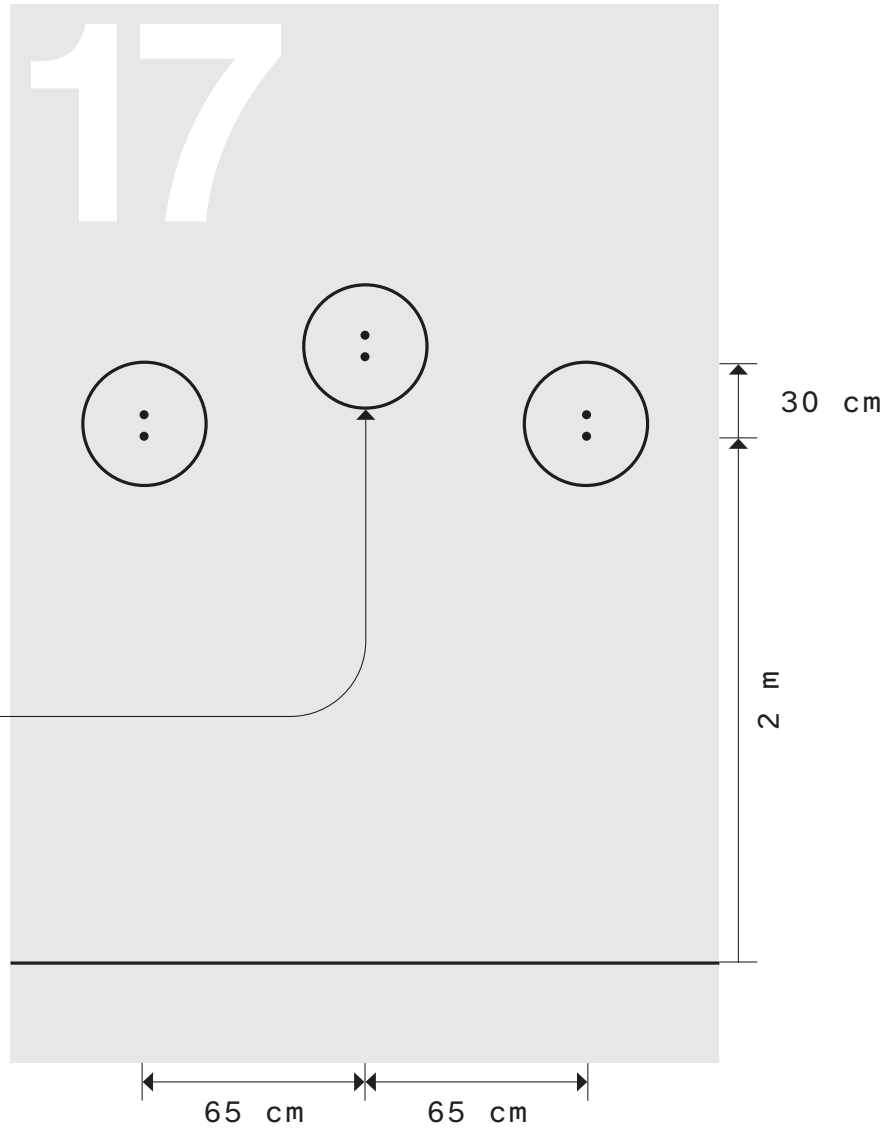
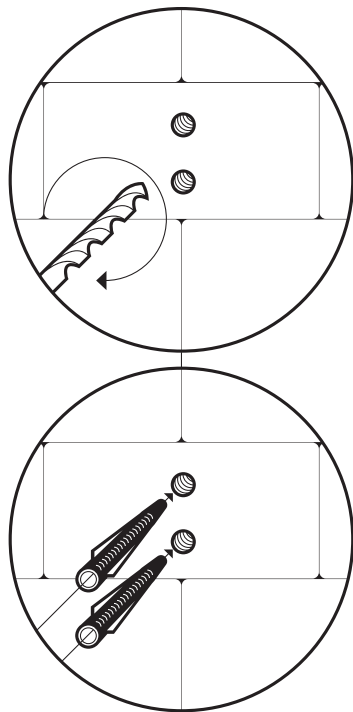
**1**

**Step 1**

When hanging, the jackets are 1.85 metres long. In order to make sure there is enough space between the floor and the jackets, the lowest hook should be placed at a height of at least 2 metres.

Drill the holes into the wall. Blow the dust out of the holes and insert the wall plug.

6x



**3.3** Instructions

**Wall version**

**1**

Step 2

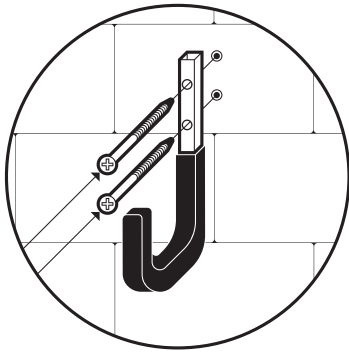
Screw the hooks onto the wall.

6x

3x



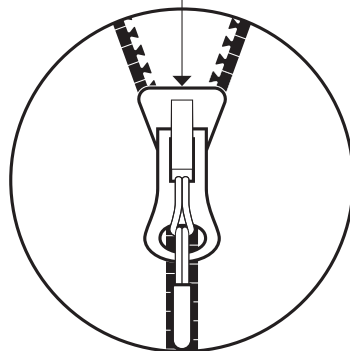
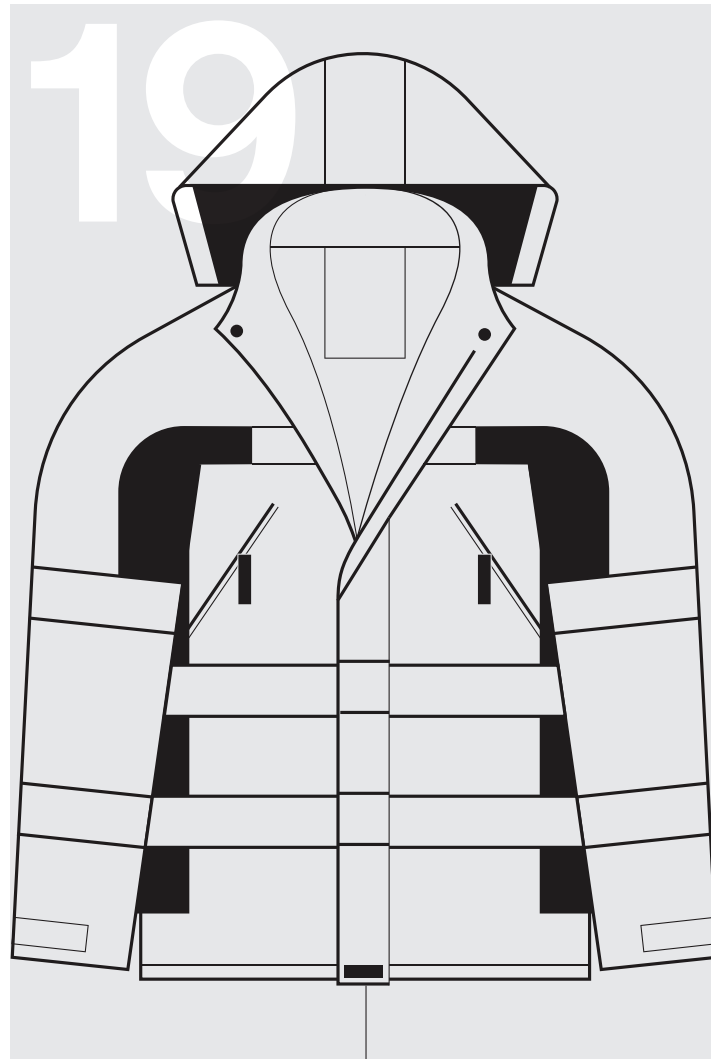
18



Step 3

Open all the jackets and lay them out on the ground.  
The hoods must be unfolded.

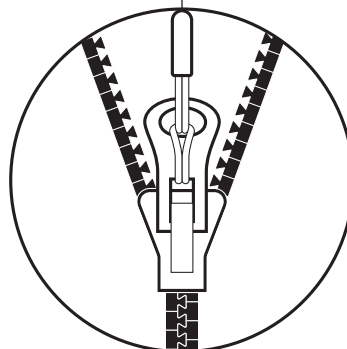
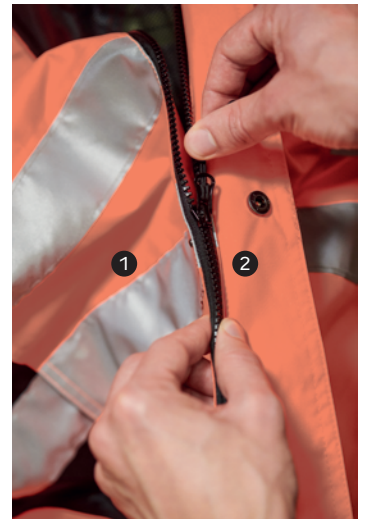
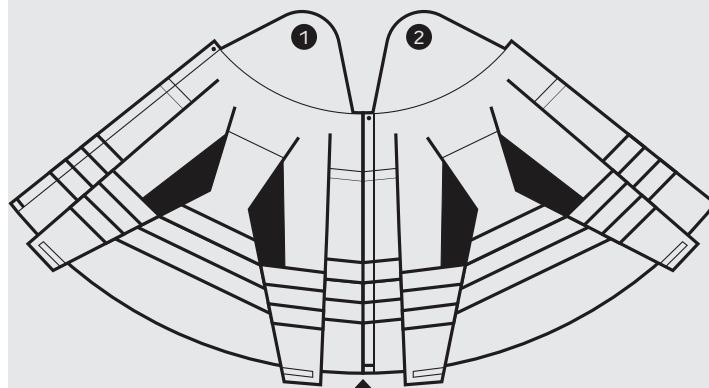
5x



Step 4

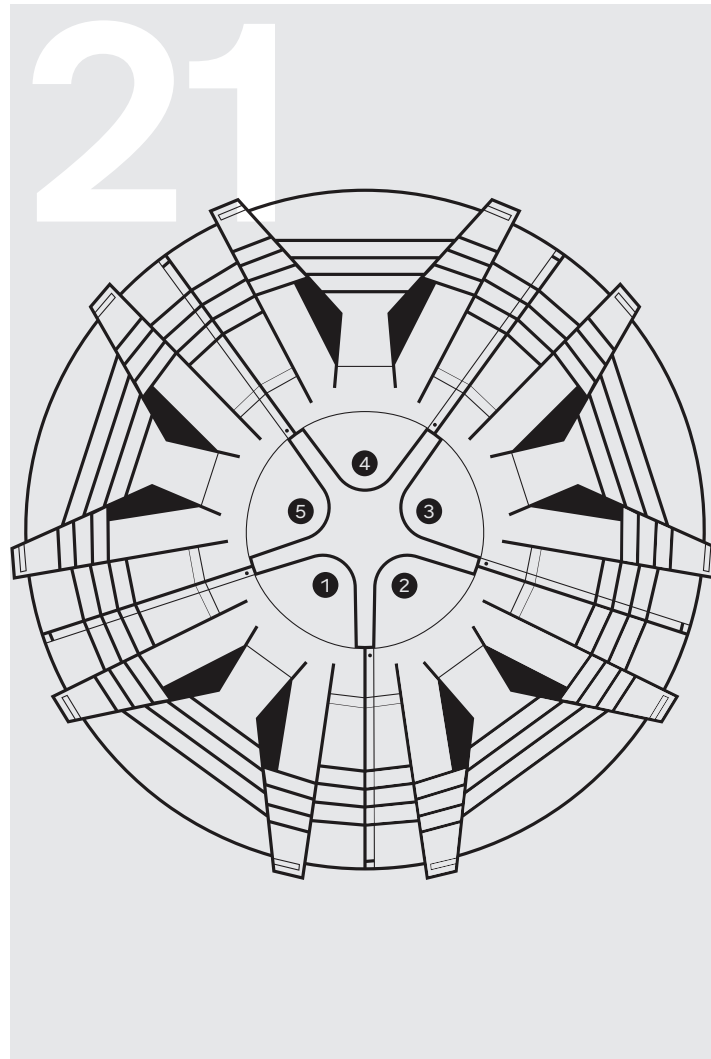
Join all five jackets together by zipping each jacket to another jacket.

20



Step 4

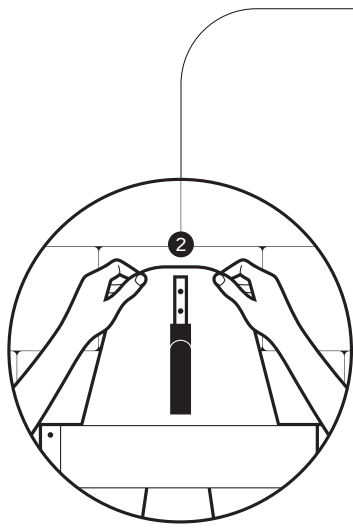
Create a ring of jackets by zipping the final jacket to the first one and hang jackets ① ② ③ on the hooks by the hood.



Safety Jackets Zipped the Other Way, 2020

1.35 m

1.85 m



3.4 Instructions

Wall version

2

Construct this version using the instructions for the standard wall version and the measurements and amounts on this page.

4x



2x



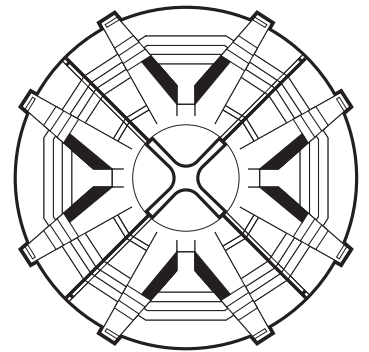
4x



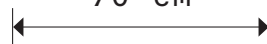
4x



1.80 m



70 cm





3.5 Instructions

Wall version

3

Construct this version using the instructions for the standard wall version and the measurements and amounts on this page.

7x



5x



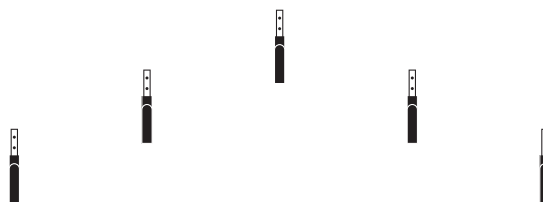
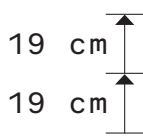
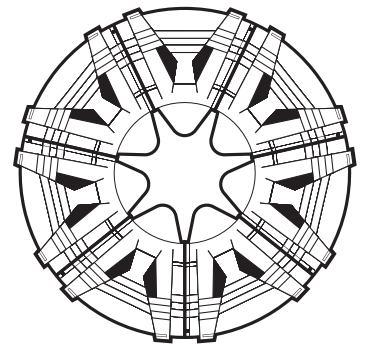
10x



10x



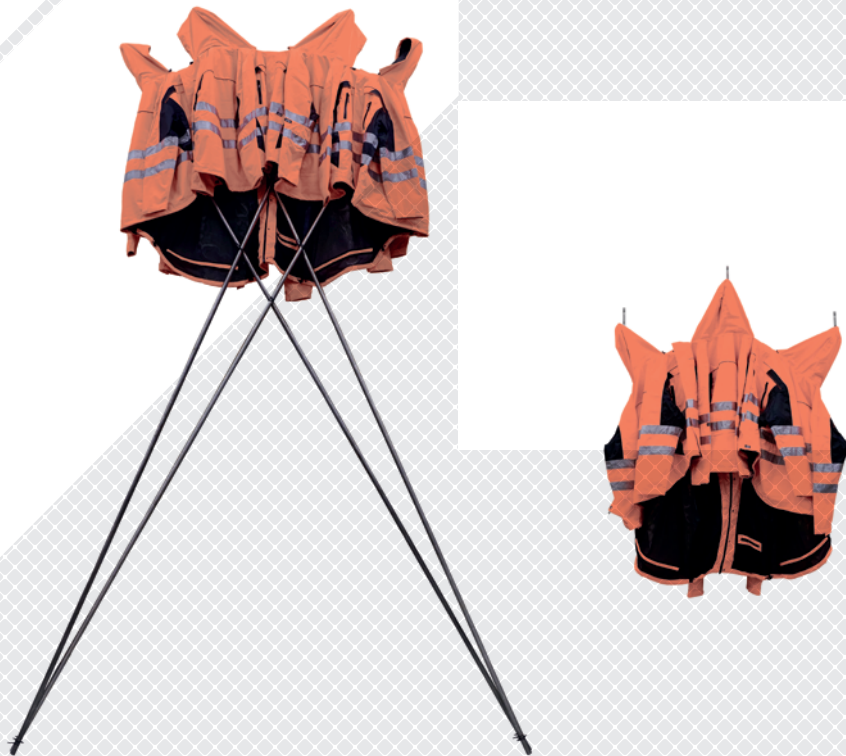
1.92 m



---

Certificate

This certificate confirms  
that the following artwork  
is an original by Ai Weiwei



---

Title:	<b>Safety Jackets Zipped the Other Way</b>
Date:	2020
Medium:	Safety Jackets
Installation size:	variable
Signature:	on Certificate of Authenticity

---

**Ai Weiwei**

A handwritten signature in black ink, appearing to read 'Ai Weiwei', is written on a white rectangular background.



Ai Weiwei hereby confirms that you are the owner of the artwork "Safety Jackets Zipped the Other Way".  
By assembling the artwork, you become part of a public art project. This project is a result of the collaboration between Ai Weiwei and HORNBAACH.